

STD-5MR042Y1-W 4-inch binocular face recognition terminal



Product description:

- Embedded Linux operating system, safe and stable operation;
- Using low-power high-performance processors, the equipment operates with low power consumption and less heat;
- Embedded with the industrial leading deep learning face recognition algorithm, the face recognition rate is $\geq 99.97\%$;
- Accurate and rapid recognition and comparison at millisecond level, face recognition speed (1:N) $\leq 0.2S/person$;
- Professional ISP image processing, fearless glare, backlight and darkness; adapt to complex light environment;
- Support the largest face recognition mode, support face selection, face enhancement and face exposure, and improve image quality;
- Support the recognition remote control of 0.3~1M, effectively preventing the misrecognition of persons who are far away;
- 2 million binocular cameras, supporting live detection function, effectively solving the problem of deceiving photos, videos and other methods;
- Standard configuration of 10,000 face database and 50,000 record storage, meeting the access control and attendance needs of enterprises of all sizes;
- Seamlessly connect to various cloud platforms such as WeChat and Ruishiyun to realize all-round intelligent access control and attendance management;
- Support personnel, equipment, authority group management, and batch registration;
- Support swiping face to open, access situation. Equipment status is clear at a glance, and the data log can be exported with one click;
- Support wired, WIFI, Bluetooth communication methods, simple wiring;
- Optional face recognition wake-up function to avoid unwilling recognition of whitelisted persons;
- 4-inch high-definition screen, with resolution 480*800;
- Natural light and near-infrared fill light, supporting low-light environment use;
- Support online and offline working modes;
- Provide comprehensive secondary development technical support;
- Wall-mounted/desk vertical installation method, exquisite and small appearance, simple and practical function;

Order model:

Model	Description
STD-5MR042Y1-W	Wall-mounted, desk-standing

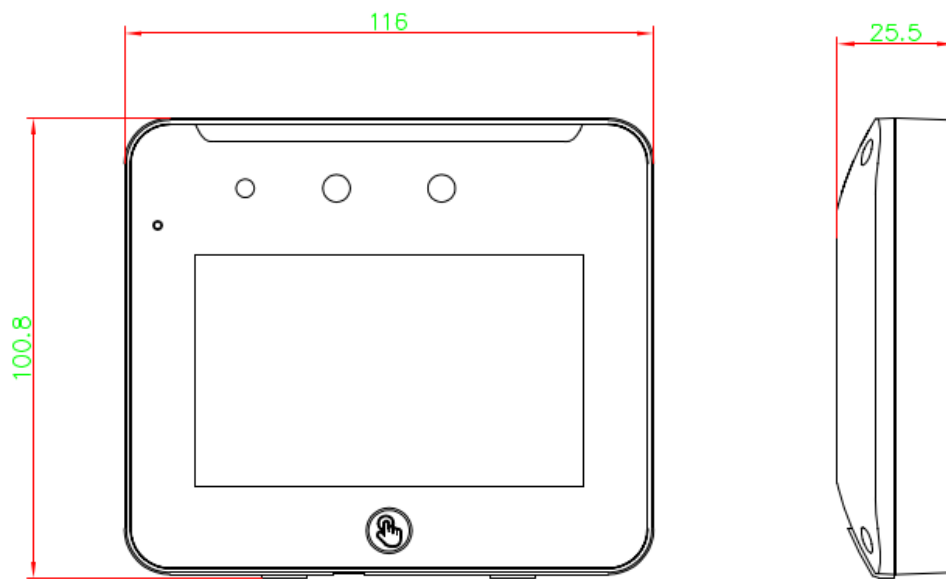
Application occasions:

Used in small and medium-sized enterprises, supermarket chains, hotels, apartments and other markets that require access control for face-checking attendance

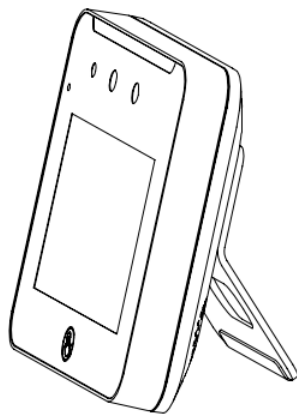
Product parameters:

Basic data	Product name	Face recognition access control attendance terminal
	Product model	STD-5MR042Y1-W
	Operating system	Embedded Linux system
Display screen	Size	4-inch screen
	Resolution	480*800
Camera	Resolution	200W pixels (1920×1080)
	Camera	HD fixed focus 4mm
	Wide dynamic	Digital wide dynamic
	Fill light	Natural light and infrared light, recognition status light
Smart functions	Face detection	Maximum face detection
	Storage	10,000 face base library, 50,000 record storage
	Recognition mode	Only human face
	Accurate recognition	1: N recognition speed $\leq 0.2S$ /person, recognition accuracy $\geq 99.97\%$
	Recognition distance	0.3-1M
	Live detection	Binocular live detection
	Alarm management	Information display (subsequent support for identification parameter configuration)
	Cloud platform	Enterprise WeChat, Ruishiyun
	Trigger recognition	Support face recognition wake-up function
	Screen saver	Not currently supported
	Operating mode	Support online and offline work
Rich interface	Communication method	Support wired, WIFI, Bluetooth
	Network interface	1 10/100M network adaptive, RJ45 interface
	Doorlock interface	Door opening signal, door sensor status, switch button
	RS485 interface	RS485+, RS485-, GND
	Reset interface	Not supported currently
	Tamper switch	Not supported currently
	Audio interface	Built-in speaker, voice broadcast
	Platform agreement	SDK, WebSocket, HTTP reverse
General parameters	Equipment power	DC 12V/1.5A
	Working environment	Indoor environment and temperature: $-20^{\circ}\text{C}\sim 55^{\circ}\text{C}$ Humidity: 10~90%RH
	Protection level	Anti-static: contact $\pm 6\text{KV}$, air $\pm 8\text{KV}$
	Installation method	Wall-mounted type, table vertical type, support 86 boxes
	Equipment size	Length: 116mm, Width: 100mm
	Weight	About 0.3kg

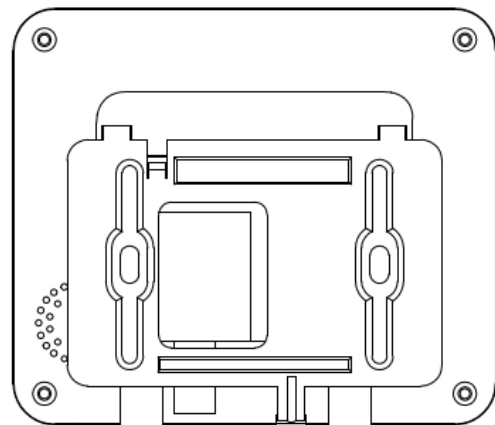
Product size (unit mm):



Dimensional drawing



Vertical type



Wall-mounted type
